

Bar Magnets

...Only from Eriez.

Permanent Non-Electric

Powerful, compact and economical magnetic unit is ideal for many separation and automation functions.

Available in a variety of sizes, Eriez Bar Magnets can be used in a wide range of applications.

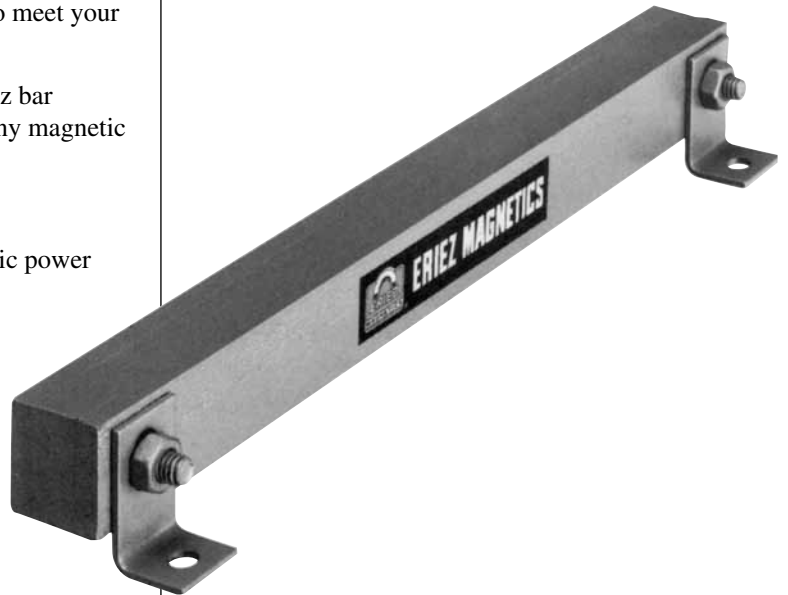
Two standard style bar magnets are available for your automation, separation and holding requirements.

Eriez Engineering Staff is available to assist in designing a magnet to meet your exact specifications.

Reliable and economical, Eriez bar magnets are the answer to many magnetic application needs.

FEATURES

- Reliable permanent magnetic power
- Easy installation
- Many applications
- Wide range of lengths
- Custom options available



Bantam Magnet

SEPARATION

For removal of ferrous contamination present in small amounts in shallow flows of powder, granules, fibers, liquids.

Mount over or under material flow - studs provide simple and easy installation.

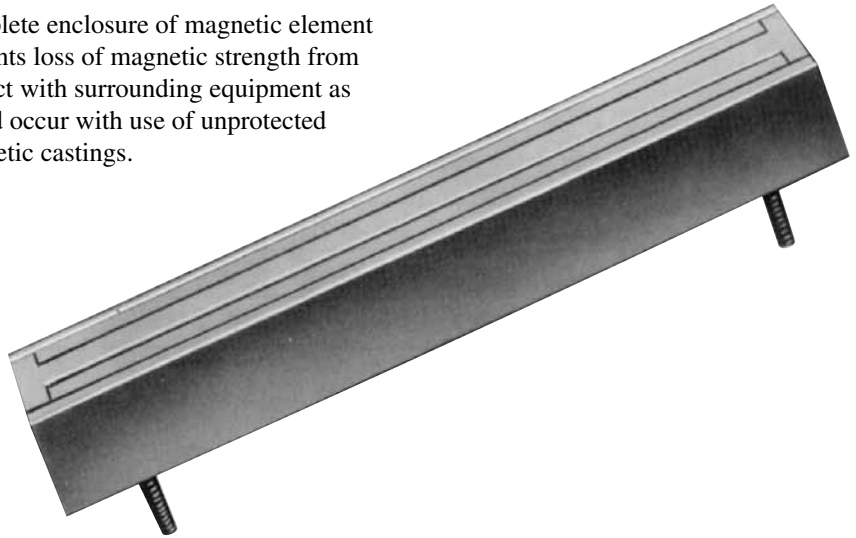
High magnetic separation efficiency in removal of fine iron and small tramp iron from shallow flows of slow moving, non-sticky materials.

High gradient, concentrated, effective magnetic field within 1/2" (13 mm) of magnet face. Special units available for applications at temperatures over 200°F (93°C).

AUTOMATION

An ideal compact unit for use as a holding magnet or retaining and controlling magnet in automation processes.

Complete enclosure of magnetic element prevents loss of magnetic strength from contact with surrounding equipment as would occur with use of unprotected magnetic castings.



Magna-Bar

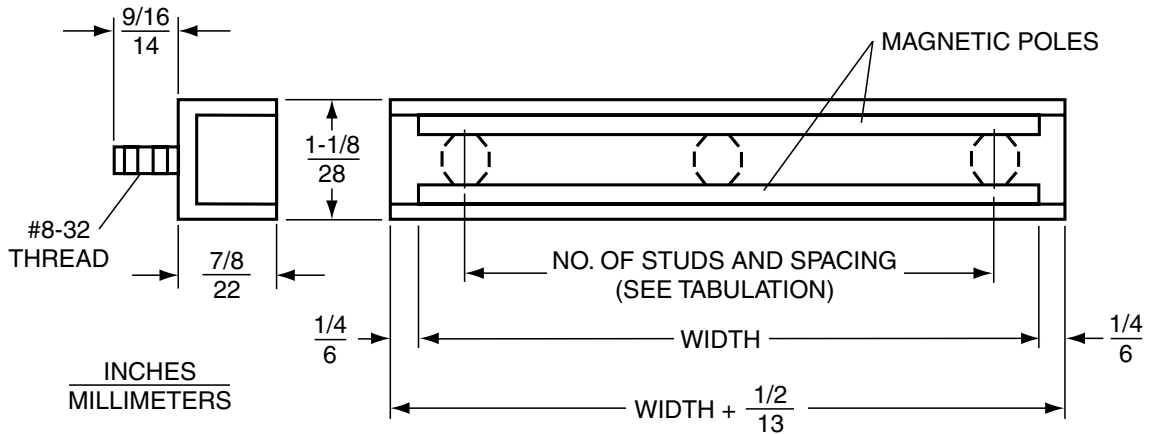
The Eriez ERIUM™ powered MAGNA-BAR packs more magnetic strength in its tiny construction than any available magnet of comparable size and type. Erium 25 (the Ceramic V barium ferric oxide magnetic material specifically designed and energized by Eriez for use in this assembly) is bonded to steel pole plates with an epoxy resin. Installation is quick and simple. Removable, equally spaced angle mounting brackets are furnished for ease of installation and to permit adjusting of the mounted magnets.

MAGNA-BARS are ideal for use as a powerful yet compact holding magnet ... as a magnetic fanner for fanning small, light gauge stampings... to hold and control parts in magnetic handling and conveying operations, and as a holding magnet in rack and other overhead conveying systems.

For magnetic separation, MAGNA-BARS, mounted above or beneath material, perform well for removal of fine iron and small tramp iron from shallow flows of slow-moving, non-sticky powders, granules, fibers, liquids, etc.



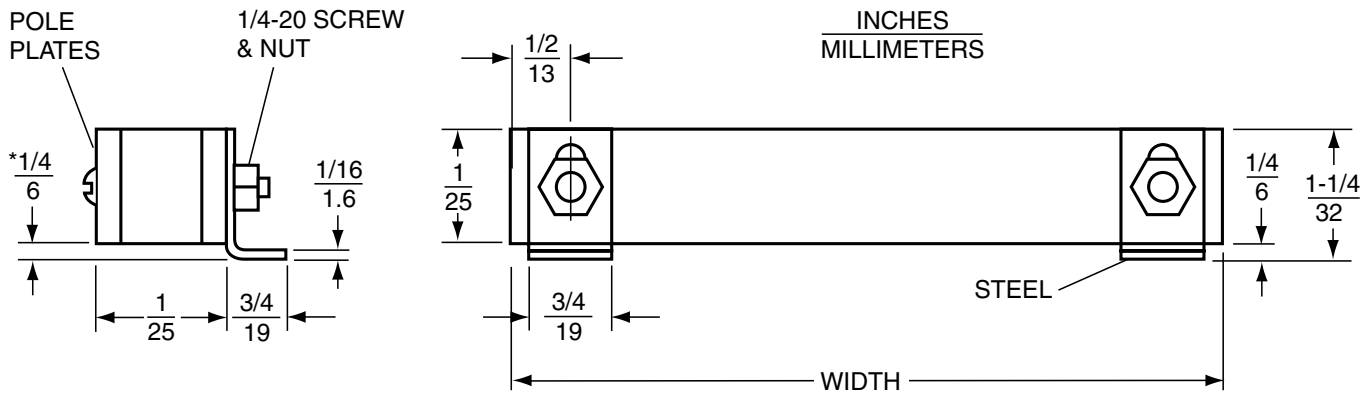
Specifications - Bantam Magnet



STANDARD WIDTHS		APPROXIMATE NET WEIGHT		NUMBER OF STUDS AND SPACING		STANDARD WIDTHS		APPROXIMATE NET WEIGHT		NUMBER OF STUDS AND SPACING	
in	mm	lb	kg	in	mm	in	mm	lb	kg	in	mm
4	102	0.72	0.33	2@3-1/2	2@89	40	1016	7.20	3.27	7@6-12	7@165
6	152	1.08	0.50	2@5	2@127	42	1067	7.56	3.43	7@6-7/8	7@175
8	203	1.44	0.65	2@7	2@177	44	1118	7.92	3.59	7@7-1/8	7@181
10	254	1.80	0.82	2@9	2@229	46	1168	8.28	3.76	9@5-5/8	9@143
12	305	2.16	0.98	3@5-1/2	3@140	48	1219	8.64	3.92	9@5-7/8	9@149
14	356	2.52	1.14	3@6-1/2	3@165	50	1270	9.00	4.08	9@6-1/8	9@156
16	406	2.88	1.31	3@7-1/2	3@191	52	1321	9.36	4.25	9@6-3/8	9@162
18	457	3.24	1.47	4@5-1/2	4@140	54	1372	9.72	4.41	9@6-5/8	9@168
20	508	3.60	1.63	4@6-1/2	4@165	56	1422	10.08	4.57	10@6-1/8	10@156
22	559	3.96	1.80	4@7	4@177	58	1473	10.44	4.74	10@6-3/8	10@162
24	610	4.32	1.96	5@5-3/4	5@146	60	1524	10.80	4.90	10@6-1/2	10@165
26	660	4.68	2.12	5@6-1/4	5@159	62	1575	11.16	5.06	11@6-1/8	11@156
28	711	5.04	2.29	5@6-3/4	5@171	64	1626	11.52	5.23	11@6-5/16	11@160
30	762	5.40	2.45	6@5-7/8	6@149	66	1676	11.88	5.39	11@6-1/2	11@165
32	812	5.76	2.61	6@6-1/4	6@159	68	1727	12.24	5.60	12@6-1/16	11@154
34	864	6.12	2.78	6@6-1/2	6@165	70	1778	12.60	5.72	12@6-1/4	12@159
36	914	6.48	2.94	6@7	6@178	72	1829	12.96	5.90	12@6-1/2	12@165
38	965	6.84	3.10	6@7-3/8	6@187						

Dimensions and specifications are subject to change without notice.

Specifications - Magna-Bar



WIDTHS		NET WEIGHT		NUMBER OF BRACKETS
in	mm	lb	kg	
4	102	0.8	0.36	2
6	152	1.3	0.59	2
8	203	1.7	0.77	2
10	254	2.1	0.95	2
12	305	2.5	1.13	2
14	356	2.9	1.32	3
16	406	3.3	1.50	3
18	457	3.7	1.68	3
20	508	4.2	1.91	3
22	559	4.6	2.09	3
24	610	5.0	2.27	3
26	660	5.4	2.45	4

WIDTHS		NET WEIGHT		NUMBER OF BRACKETS
in	mm	lb	kg	
28	711	5.8	2.63	4
30	762	6.2	2.81	4
32	812	6.7	3.04	4
34	864	7.1	3.22	4
36	914	7.5	3.40	4
38	965	7.9	3.58	5
40	1020	8.3	3.77	5
42	1070	8.7	3.95	5
44	1120	9.2	4.17	5
46	1170	9.6	4.35	5
48	1220	10.0	4.54	5
50	1270	10.4	4.72	5

WIDTHS		NET WEIGHT		NUMBER OF BRACKETS
in	mm	lb	kg	
52	1320	10.8	4.90	5
54	1371	11.2	5.08	5
56	1422	11.6	5.26	5
58	1473	12.1	5.49	6
60	1524	12.5	5.67	6
62	1575	12.9	5.85	6
64	1625	13.3	6.03	6
66	1675	13.7	6.21	6
68	1727	14.1	6.40	6
70	1778	14.6	6.60	6
72	1829	15.0	6.80	6

Dimensions and specifications are subject to change without notice.



World Authority in Advanced Technology for Magnetic, Vibratory and Inspection Applications

Headquarters: 2200 Asbury Road, Erie, PA 16506-1440 U.S.A.

Telephone: 814/835-6000 • 800/345-4946 • Fax: 814/838-4960 • International Fax: 814/833-3348

Web Site: <http://www.eriez.com> e-mail: eriez@eriez.com

Manufacturing Facilities: AUSTRALIA • BRAZIL • CANADA • CHINA • INDIA • JAPAN • MEXICO • SOUTH AFRICA • UNITED KINGDOM • UNITED STATES